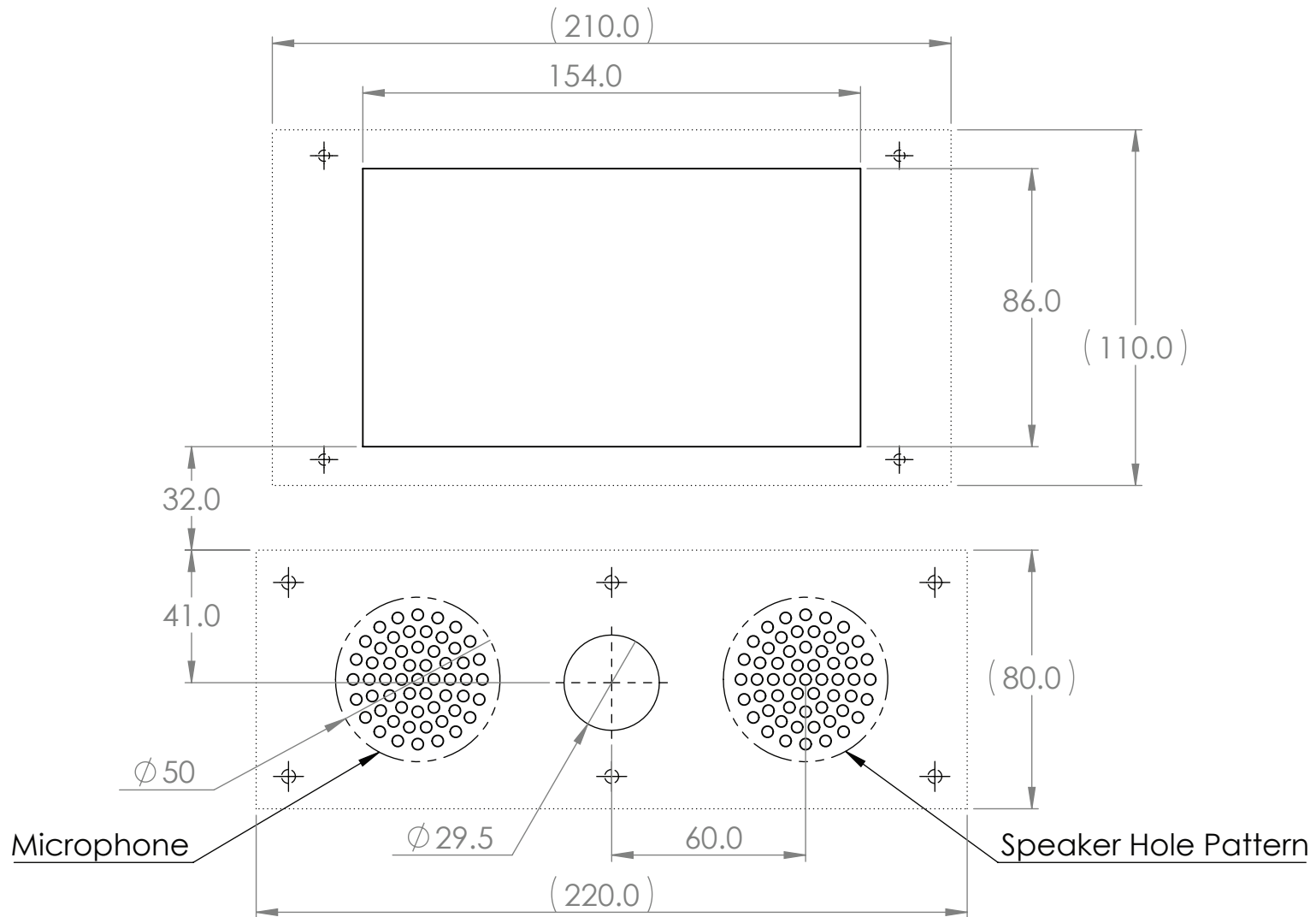
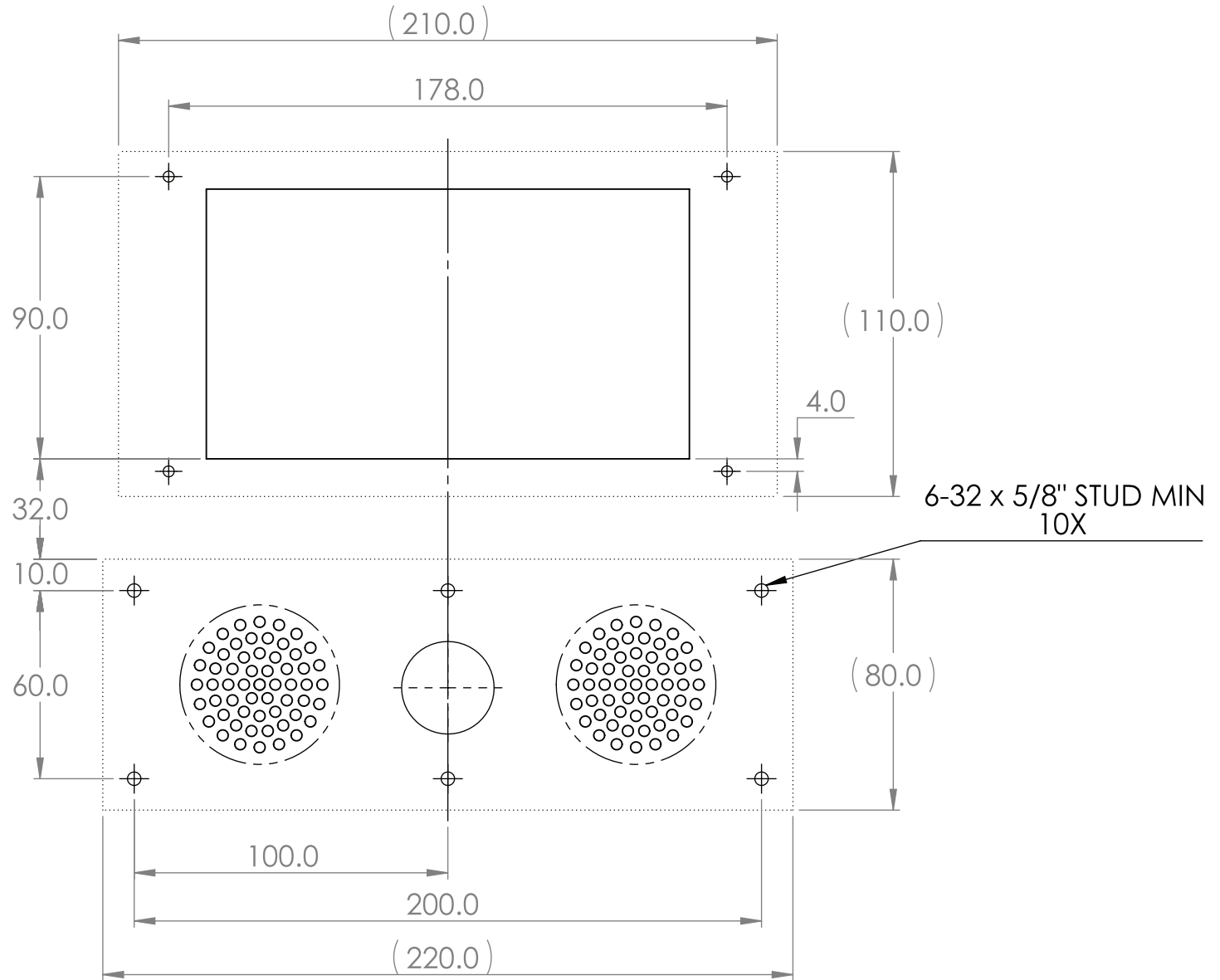



Cutout



	Title:		Thunder Cabin - Camera assembly cutout		Unit:	MM
	Tolerance:	Material:	Finish:			
		Scale:	1:2	No. piece:	N/A	Date:
	Angular:	Rev:	1.0	Name:	Page:	1/1

Studing Pattern



	Title:		Thunder Cabin - Camera assembly cutout		Unit:	MM	
	Tolerance:	Material:	Finish:				
		Scale:	1:2	No. piece:	N/A	Date:	2024-05-02
		Rev:	1.0	Name:	Page:		1/1
Angular:							